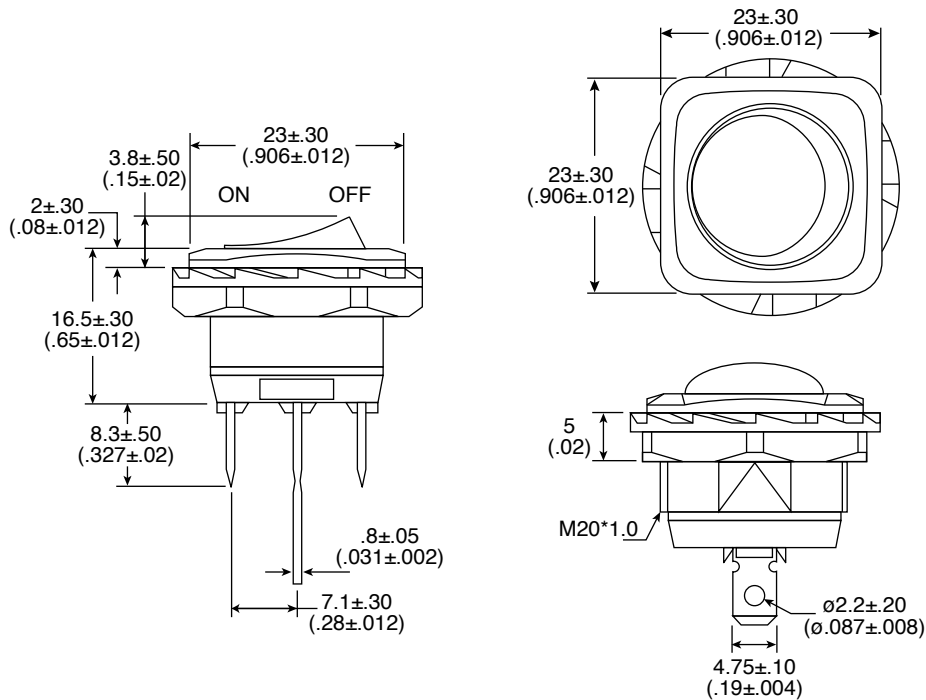


DIMENSIONS: mm (in.)



Cutout	Circuit Arrangement	Circuit Diagram
<p>18.60 (.732)</p> <p>$\phi 20.20$ ($\phi .795$)</p> <p>6mm (.236) Max.</p>	<p>3P SPST</p> <p>Illuminated</p> <p>125VAC 33K</p>	<p>OFF</p> <p>33 KΩ</p> <p>ON</p> <p>33 KΩ</p>

Electrical Specifications:

- Rating: 16A/125VAC, 10A/250V AC
- Contact Resistance: 50m Ω max.
- Insulation Resistance: 500VDC 100M Ω min.
- Dielectric Strength: 1500VAC 1 minute

Note:

- RoHS Compliant

Mouser Stock No.	LED Color
103-R13-135B-02R-EV	Red
103-R13R-135B-02G-EV	Green

Illuminated Rocker Switches

103-R13-135B-02R-EV, 103-R13-135B-02G-EV



Available from Mouser Electronics

www.mouser.com

1-800-346-6873